

# Network Video Recorder NVR508-E-IQ Series



## Features

- Support Ultra 265/H.265/H.264 video formats
- 32/64-channel input
- Support 2 HDMI and 2 VGA. VGA1 and HDMI1 simultaneous output, VGA2 and HDMI2 simultaneous output. VGA1/HDMI1 and VGA2/HDMI2 independent output
- Up to 32 Megapixels resolution recording
- Support N+1 Hot spare
- ANR technology to enhance the storage reliability when the network is disconnected
- Support cloud upgrade

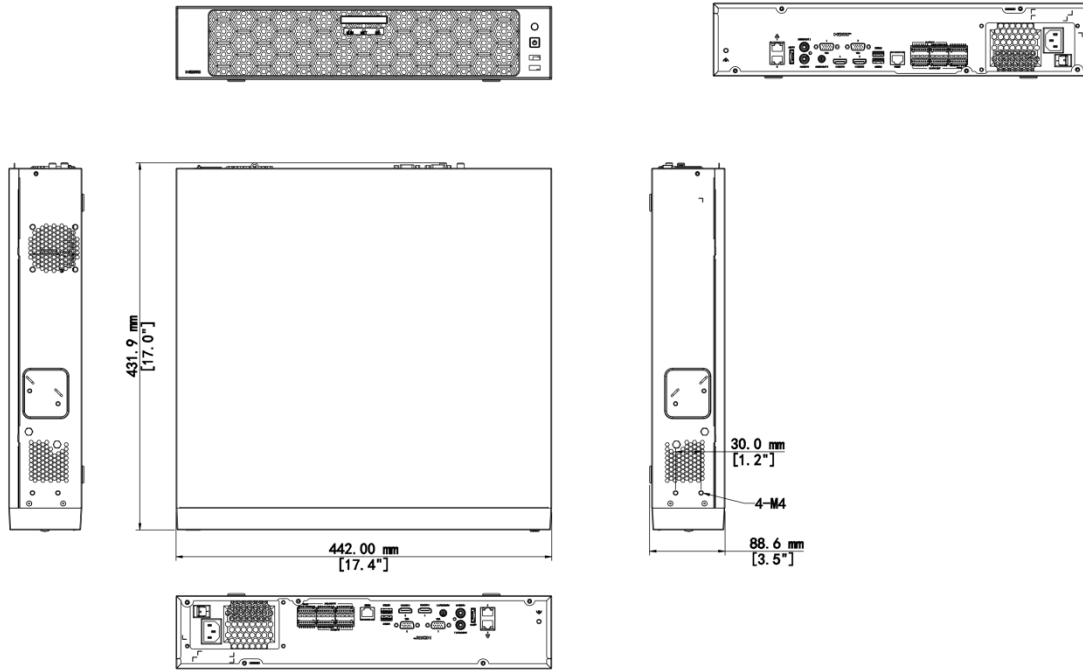
## Specifications

Model	NVR508-32E-IQ	NVR508-64E-IQ
Decoding		
Decoding Format	Ultra 265, H.265, H.264	
Decoding Capability	Smart Off: 2 x 32MP@30, 4 x 16MP@30, 5 x 12MP@30, 8 x 4K@30, 10 x 6MP@30, 12 x 5MP@30, 16 x 4MP@30, 20 x 3MP@30, 32 x 1080P@30 Smart On: 1 x 32MP@30, 3 x 16MP@30, 4 x 12MP@30, 6 x 4K@30, 8 x 6MP@30, 9 x 5MP@30, 12 x 4MP@30, 16 x 3MP@30, 24 x 1080P@30, 32 x 720P@30	Smart Off: 2 x 32MP@30, 4 x 16MP@30, 5 x 12MP@30, 8 x 4K@30, 10 x 6MP@30, 12 x 5MP@30, 16 x 4MP@30, 20 x 3MP@30, 32 x 1080P@30, 64 x 720P@30 Smart On: 1 x 32MP@30, 3 x 16MP@30, 4 x 12MP@30, 6 x 4K@30, 8 x 6MP@30, 9 x 5MP@30, 12 x 4MP@30, 16 x 3MP@30, 24 x 1080P@30, 48 x 720P@30
Decoding Capability	The resolution of each channel cannot exceed 8192 pixels in length or width	

Description		
Audio Compression	G.711A, G.711U	
<b>Network</b>		
Incoming Bandwidth	Smart Off: 384Mbps Smart On: 200Mbps	Smart off: 512 Mbps, Smart on: 200 Mbps
Outgoing Bandwidth	Smart Off: 384Mbps Smart On: 200Mbps	Smart off: 512 Mbps, Smart on: 200 Mbps
Remote Users	128	
Protocols	TCP/IP, P2P, NTP, DHCP, PPPoE, HTTP, HTTPS, DNS, DDNS, SNMP, SMTP, NFS, RTSP, 802.1x, IPv6, IPv4	
Browser (Plugin)	IE10, IE11, Chrome 45+, Edge 79+, Firefox 52+	
<b>Video/Audio Input</b>		
IP Video Input	32-ch	64-ch
RCA Audio Input	1-ch	
<b>Video/Audio Output</b>		
HDMI Output	4K (3840 × 2160)/60 Hz, 4K (3840 × 2160)/30 Hz, 1920 × 1080/60 Hz, 1600 × 1200/60 Hz, 1280 × 1024/60 Hz, 1280 × 720/60 Hz, 1024 × 768/60 Hz	
VGA Output	1920 × 1080/60 Hz, 1600 × 1200/60 Hz, 1280 × 1024/60 Hz, 1280 × 720/60 Hz, 1024 × 768/60 Hz	
RCA Audio Output	2-ch	
Liveview Display	HDMI1 and VGA1: 1/4/6/8/9/16/25/32; HDMI2 and VGA2: 1/4/6/8/9/16	HDMI1 and VGA1: 1/4/6/8/9/16/25/36/64; HDMI2 and VGA2: 1/4/6/8/9/16
Corridor Mode Screen	HDMI1 and VGA1: 3/4/5/7/9/10/12/16/32; HDMI2 and VGA2: 3/4/5/7/9/10/12/16	
<b>Two-way Audio</b>		
Two-way Audio	1-ch, RCA (Using the audio input and output)	
<b>Snapshot</b>		
FTP/Schedule/Event Snapshot	16-ch snapshot (max. 8 MP (3840 × 2160) video resolution, with 1080P snapshot resolution)	
<b>Recording</b>		
Recording Resolution	32 MP/16 MP/12 MP/8 MP/6 MP/5 MP/4 MP/3 MP/1080P/960P/720P/D1/2CIF/CIF	
<b>Smart</b>		
VCA Detection by IPC	Face Detection, Face Comparison, Vehicle Detection, SIP (Intrusion Detection, Cross Line Detection, Enter Area, Leave Area), Ultra Motion Detection (UMD), Temperature Detection (Fire Detection, Smoking Detection, Temperature Measurement, Smoke and Fire Detection), People Counting (People Flow Counting, Crowd Density Monitoring), Video Metadata, Traffic Monitoring	
Smart by NVR	Face Detection, Face Comparison, Smart Intrusion Prevention (SIP), Ultra Motion Detection (UMD)	
VCA Search	Face Snapshot Search, Face Comparison Search, Motor Vehicle Search, Non-Motor Vehicle Search, Human Body Search, General Search, People Counting Report, Heat Map, SmartSearch+, AcuSearch	
Smart by IPC	All channels (up to 16 images/s in total)Face Detection, Face Comparison, Vehicle Detection, Temperature Detection, SIP, UMD, Video Metadata, Traffic Monitoring	
Vehicle Picture Library	Up to 5 vehicle picture libraries, with up to 25,000 vehicle pictures in total	
SIP by NVR	8-ch	

UMD by NVR	16-ch
Capacity of Snapshot Records	3 millions records for face snapshot, 2 millions records for vehicle snapshot, 2 millions records for SIP, 2 millions records for video Metadata
<b>Alarm</b>	
General Alarm	Defocus Detection, Scene Change Detection, Object Left Behind, Object Removed, Auto Tracking, Motion Detection, Tampering, Human Body Detection, Video Loss, Alarm Input, Audio Detection
Alert Alarm	IP Conflict, Network Disconnected, Disk Offline, Disk Abnormal, Illegal Access, Hard Disk Space Low, Hard Disk Full, Recording/Snapshot Abnormal, Array Damaged, Array Degraded
<b>GUI Language</b>	
GUI Language	38 languages: Simplified Chinese, Traditional Chinese, English, Vietnamese, Thai, Turkish, Spanish (Latin America), Portuguese (Brazil), Spanish, Portuguese, French, German, Italian, Dutch, Polish, Czech, Hungarian, Slovak, Russian, Hebrew, Arabic, Ukrainian, Estonian, Bulgarian, Greek, Romanian, Danish, Swedish, Norwegian, Finnish, Croatian, Slovenia, Serbia, Korean, Japanese, Latvian, Lithuanian, Persian
<b>Hard Disk</b>	
SATA	8 SATA Interfaces
Capacity	Up to 16 TB for each HDD (The maximum HDD capacity varies with environment temperature)
Disk Group	Support
Redundant Storage	Support
Disk Array Type	RAID 0, 1, 5, 6, 10
<b>External Interface</b>	
Network Interface	2 RJ45 10 M/100 M/1000 M self-adaptive Ethernet Interface
USB	Front panel: 2 × USB2.0, Rear panel: 2 × USB3.0
RS485	1
RS232	1
Alarm In	16-ch
Alarm Out	10-ch
eSATA	1
Power Output	12 V
Power Supply	AC 100~240V
<b>Working Environment</b>	
Working Temperature	-10 °C to 50 °C (14 °F to 122 °F)
Working Humidity	≤ 90% RH (non-condensing)
Power Consumption (without HDD)	≤ 35W
<b>Dimensions</b>	
Weight (without HDD)	≤ 5.5Kg (12.1lb)
Height	2U
Dimensions	442mm × 432mm × 86mm (17.4"×17.0"×3.4")
<b>Certification</b>	
Certification	CE; FCC; UL; RoHS; WEEE
CE	EN 55032, EN 61000-3-3, EN IEC 61000-3-2, EN 55035
FCC	Part15 Subpart B

# Dimensions



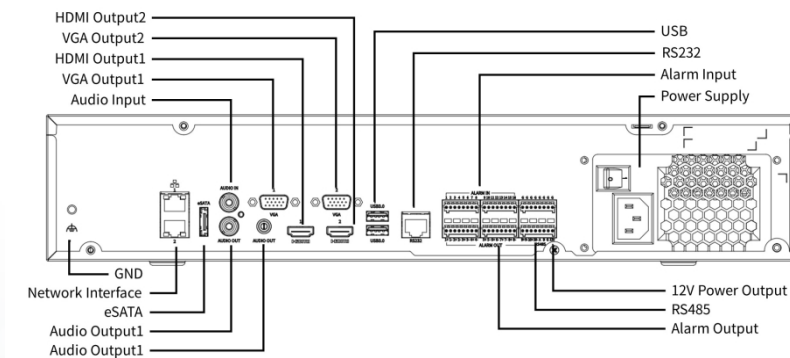
# Accessories

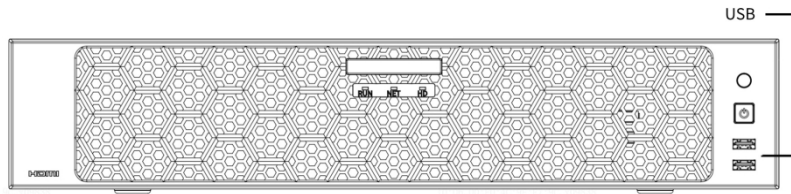
## FL-2U

4 HDDs & 8 HDDs 2U NVR Rack Mount



# Rear Panel






**Zhejiang Uniview Technologies Co., Ltd.**

 <http://www.uniview.com>

 [overseasbusiness@uniview.com](mailto:overseasbusiness@uniview.com); [globalsupport@uniview.com](mailto:globalsupport@uniview.com)

 No. 369, Xietong Road, Xixing Sub-district, Binjiang District, Hangzhou City, 310051, Zhejiang Province, China

©2023-2025 Zhejiang Uniview Technologies Co., Ltd. All rights reserved.

\*Product specifications and availability are subject to change without

\*Despite our best efforts, technical or typographical errors may exist in Uniview cannot be held responsible for any such errors and reserves the contents of this document without prior notice.



notice.  
this document.  
right to change the