

# Network Video Recorder NVR504-E-P-IQ Series



## Features

- Support Ultra 265/H.265/H.264 video formats
- 16/32/64-channel input
- Plug & Play with 16/24 independent PoE network interfaces
- Support 2-ch HDMI, 2-ch VGA. HDMI up to 4K (3840x2160) resolution
- VGA and HDMI independent output
- Up to 32 Megapixels resolution recording
- ANR technology to enhance the storage reliability when the network is disconnected
- Support cloud upgrade

## Specifications

Model	NVR504-16E-P16-IQ	NVR504-32E-P24-IQ	NVR504-64E-P24-IQ
Decoding	Decoding Format		
Decoding Format	Ultra 265, H.265, H.264		
Decoding Capability	Smart Off: 2 x 32MP@30, 4 x 16MP@30, 5 x 12MP@30, 8 x 4K@30, 10 x 6MP@30, 12 x 5MP@30, 16 x 4MP@30 Smart On: 1 x 32MP@30, 3 x 16MP@30, 4 x 12MP@30, 6 x	Smart Off: 2 x 32MP@30, 4 x 16MP@30, 5 x 12MP@30, 8 x 4K@30, 10 x 6MP@30, 12 x 5MP@30, 16 x 4MP@30, 20 x 3MP@30, 32 x 1080P@30 Smart On: 1 x 32MP@30, 3 x	Smart Off: 2 x 32MP@30, 4 x 16MP@30, 5 x 12MP@30, 8 x 4K@30, 10 x 6MP@30, 12 x 5MP@30, 16 x 4MP@30, 20 x 3MP@30, 32 x 1080P@30, 64 x 720P@30

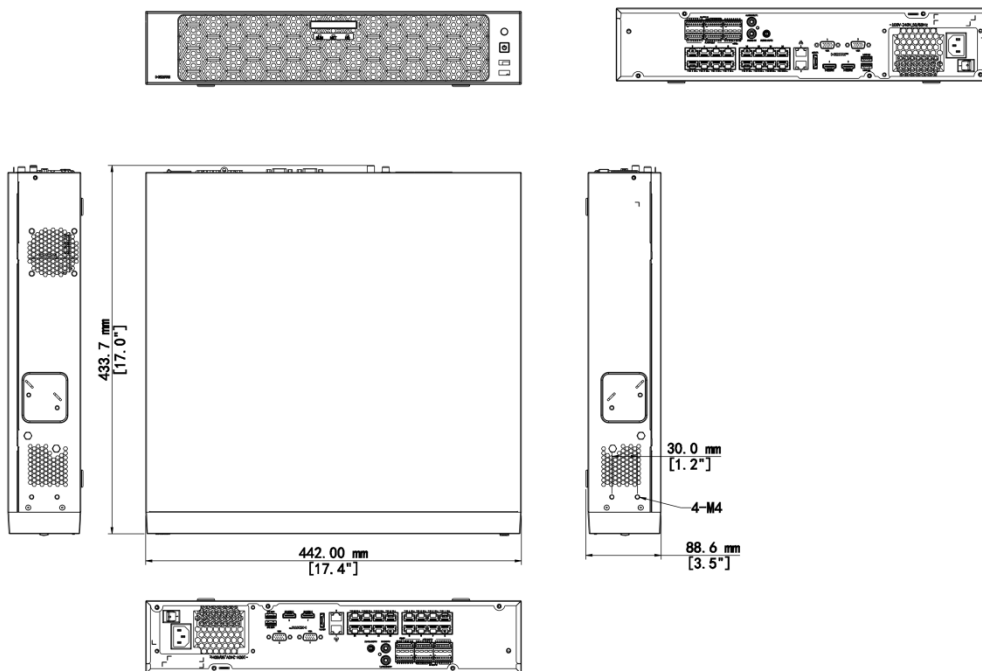
	4K@30, 8 x 6MP@30, 9 x 5MP@30, 12 x 4MP@30, 16 x 3MP@30	16MP@30, 4 x 12MP@30, 6 x 4K@30, 8 x 6MP@30, 9 x 5MP@30, 12 x 4MP@30, 16 x 3MP@30, 24 x 1080P@30, 32 x 720P@30	Smart On: 1 x 32MP@30, 3 x 16MP@30, 4 x 12MP@30, 6 x 4K@30, 8 x 6MP@30, 9 x 5MP@30, 12 x 4MP@30, 16 x 3MP@30, 24 x 1080P@30, 48 x 720P@30, 64 x D1
Decoding Capability Description	The resolution of each channel cannot exceed 8192 pixels in length or width		
Audio Compression	G.711A, G.711U		
<b>Network</b>			
Incoming Bandwidth	Smart Off: 384 Mbps, Smart On: 200 Mbps		
Outgoing Bandwidth	Smart Off: 384 Mbps, Smart On: 200 Mbps		
Remote Users	128		
Protocols	TCP/IP, P2P, UPnP, NTP, DHCP, PPPoE, HTTP, HTTPS, DNS, DDNS, SNMP, SMTP, NFS, RTSP, 802.1x, IPv6, IPv4		
Browser (Plugin)	IE10, IE11, Chrome 45+, Edge 79+, Firefox 52+		
<b>Video/Audio Input</b>			
IP Video Input	16-ch	32-ch	64-ch
RCA Audio Input	1-ch		
<b>Video/Audio Output</b>			
Video Output	Support 2-ch HDMI, 2-ch VGA, HDMI1 and VGA1 simultaneous output, HDMI2 and VGA2 simultaneous output, HDMI1/VGA1 and HDMI2/VGA2 independent output		
HDMI Output	4K (3840 × 2160)/60 Hz, 4K (3840 × 2160)/30 Hz, 1920 × 1080/60 Hz, 1600 × 1200/60 Hz, 1280 × 1024/60 Hz, 1280 × 720/60 Hz, 1024 × 768/60 Hz		
VGA Output	1920 × 1080/60 Hz, 1600 × 1200/60 Hz, 1280 × 1024/60 Hz, 1280 × 720/60 Hz, 1024 × 768/60 Hz		
RCA Audio Output	2-ch		
Liveview Display	1/4/6/8/9/16	HDMI1 and VGA1: 1/4/6/8/9/16/25/32; HDMI2 and VGA2: 1/4/6/8/9/16	HDMI1 and VGA1: 1/4/6/8/9/16/25/36/64; HDMI2 and VGA2: 1/4/6/8/9/16
Corridor Mode Screen	3/4/5/7/9/10/12/16	HDMI1 and VGA1: 3/4/5/7/9/10/12/16/32; HDMI2 and VGA2: 3/4/5/7/9/10/12/16	HDMI1 and VGA1: 3/4/5/7/9/10/12/16/32; HDMI2 and VGA2: 3/4/5/7/9/10/12/16
<b>Two-way Audio</b>			
Two-way Audio	1-ch, RCA (Using the audio input and output)		
<b>Snapshot</b>			
FTP/Schedule/Event Snapshot	16-ch snapshot (max. 8 MP (3840 × 2160) video resolution, with 1080P snapshot resolution)		
<b>Recording</b>			
Recording Resolution	32 MP/16 MP/12 MP/8 MP/6 MP/5 MP/4 MP/3 MP/1080P/960P/720P/D1/2CIF/CIF		
<b>Smart</b>			
VCA Detection by IPC	Face Detection, Face Comparison, Vehicle Detection, SIP (Intrusion Detection, Cross Line Detection, Enter Area, Leave Area), Ultra Motion Detection (UMD), Temperature Detection (Fire Detection, Smoking Detection, Temperature Measurement, Smoke and Fire Detection), People		

	Counting (People Flow Counting, Crowd Density Monitoring), Video Metadata, Traffic Monitoring
Smart by NVR	Face Detection, Face Comparison, Smart Intrusion Prevention (SIP), Ultra Motion Detection (UMD), (At same channel, only one smart function by NVR can be enabled simultaneously.)
VCA Search	Face Snapshot Search, Face Comparison Search, Motor Vehicle Search, Non-Motor Vehicle Search, Human Body Search, General Search, People Counting Report, Heat Map, SmartSearch+, AcuSearch
Smart by IPC	All channels (up to 16 images/s in total) Face Detection, Face Comparison, Vehicle Detection, Temperature Detection, SIP, UMD, Video Metadata, Traffic Monitoring
Vehicle Picture Library	Up to 5 vehicle picture libraries, with up to 25,000 vehicle pictures in total
SIP by NVR	8-ch
UMD by NVR	16-ch
Capacity of Snapshot Records	3 millions records for face snapshot, 2 millions records for vehicle snapshot, 2 millions records for SIP
<b>Alarm</b>	
General Alarm	Defocus Detection, Scene Change Detection, Object Left Behind, Object Removed, Auto Tracking, Motion Detection, Tampering, Human Body Detection, Video Loss, Audio Detection, Alarm Input
Alert Alarm	IP Conflict, Network Disconnected, Disk Offline, Disk Abnormal, Illegal Access, Hard Disk Space Low, Hard Disk Full, Recording/Snapshot Abnormal, Array Damaged, Array Degraded
<b>GUI Language</b>	
GUI Language	38 languages: Simplified Chinese, Traditional Chinese, English, Vietnamese, Thai, Turkish, Spanish (Latin America), Portuguese (Brazil), Spanish, Portuguese, French, German, Italian, Dutch, Polish, Czech, Hungarian, Slovak, Russian, Hebrew, Arabic, Ukrainian, Estonian, Bulgarian, Greek, Romanian, Danish, Swedish, Norwegian, Finnish, Croatian, Slovenia, Serbia, Korean, Japanese, Latvian, Lithuanian, Persian
<b>Hard Disk</b>	
SATA	4 SATA Interfaces
Capacity	Up to 16 TB for each HDD (The maximum HDD capacity varies with environment temperature and hard disk size)
Disk Group	Support
Redundant Storage	Support
Disk Array Type	RAID 0, 1, 5
<b>External Interface</b>	
Network Interface	2 RJ45 10 M/100 M/1000 M self-adaptive Ethernet Interface
USB	Front panel: 2 × USB2.0, Rear panel: 2 × USB3.0
RS485	1
RS232	N/A
Alarm In	16-ch
Alarm Out	10-ch
eSATA	1
Power Output	12 V
Power Supply	AC 100 to 240 V
Power Switch	Support
<b>PoE</b>	

PoE Interface	16 RJ45 10 M/100 M self-adaptive Ethernet Interface	24 RJ45 10 M/100 M self-adaptive Ethernet Interface	24 RJ45 10 M/100 M self-adaptive Ethernet Interface
Max Power	Max 30 W for single port, Max 150 W in total	Max 30 W for single port, Max 210 W in total	Max 30 W for single port, Max 210 W in total
Supported Standard	IEEE 802.3at, IEEE 802.3af		
<b>Working Environment</b>			
Working Temperature	-10 °C to 55 °C (14 °F to 131 °F)		
Working Humidity	≤ 90% RH (non-condensing)		
Power Consumption (without HDD)	≤50W		
<b>Dimensions</b>			
Weight (without HDD)	≤5.5KG		
Height	2U		
Dimensions	442mm × 432.9mm × 88.6mm (17.4" ×17" ×3.5" )		
<b>Certification</b>			
Certification	CE; FCC; UL; RoHS; WEEE		
CE	EN 55032, EN 61000-3-3, EN IEC 61000-3-2, EN 55035		
FCC	Part15 Subpart B		

## Dimensions

Aggregate product size diagram using NVR504-16E-P16-IQ as an example



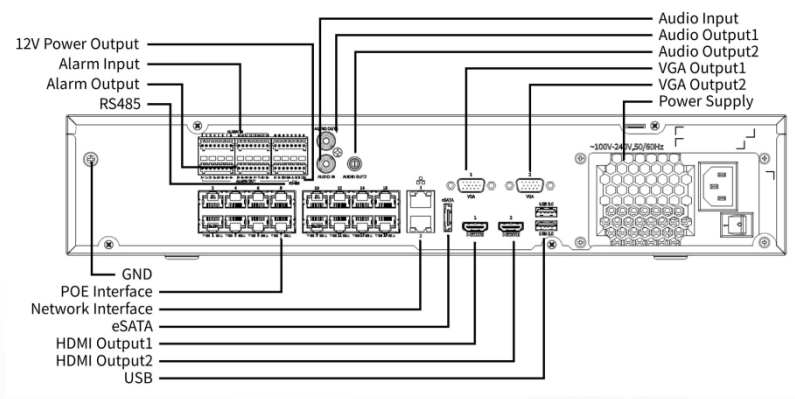
## Accessories

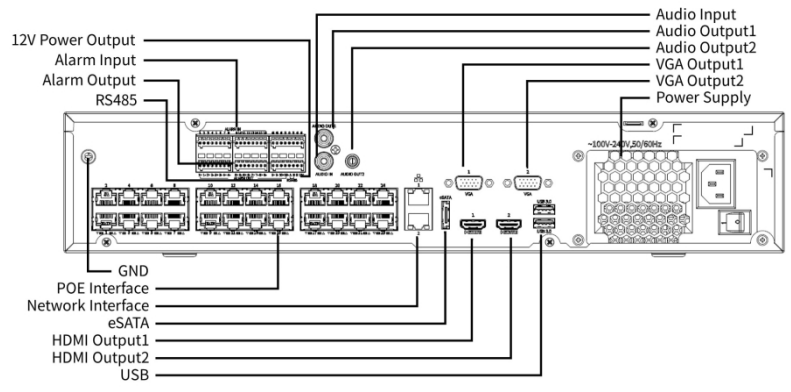
### FL-2U

4 HDDs & 8 HDDs 2U NVR Rack Mount



## Rear Panel





**Zhejiang Uniview Technologies Co., Ltd.**

<http://www.uniview.com>

[overseasbusiness@uniview.com](mailto:overseasbusiness@uniview.com); [globalsupport@uniview.com](mailto:globalsupport@uniview.com)

No. 369, Xietong Road, Xixing Sub-district, Binjiang District, Hangzhou City, 310051, Zhejiang Province, China

©2023-2025 Zhejiang Uniview Technologies Co., Ltd. All rights reserved.

\*Product specifications and availability are subject to change without

\*Despite our best efforts, technical or typographical errors may exist in Uniview cannot be held responsible for any such errors and reserves the contents of this document without prior notice.



notice.  
this document.  
right to change the